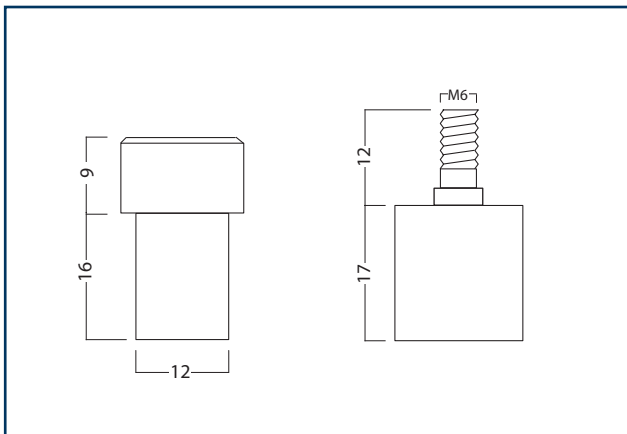


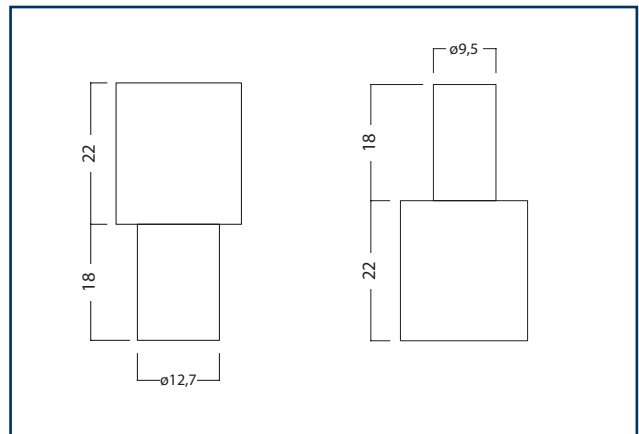
Machine tools

Specification tool sizes

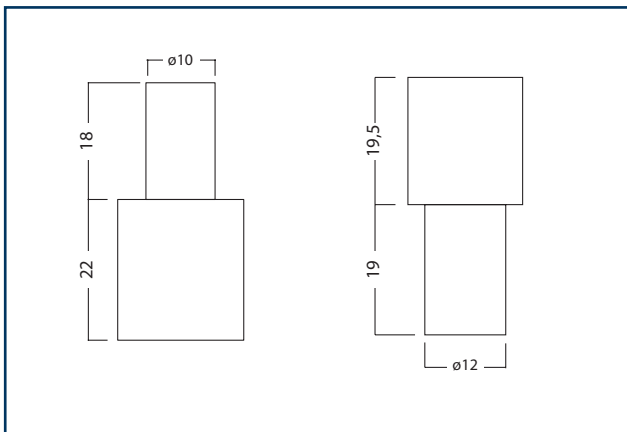
Wasa standard



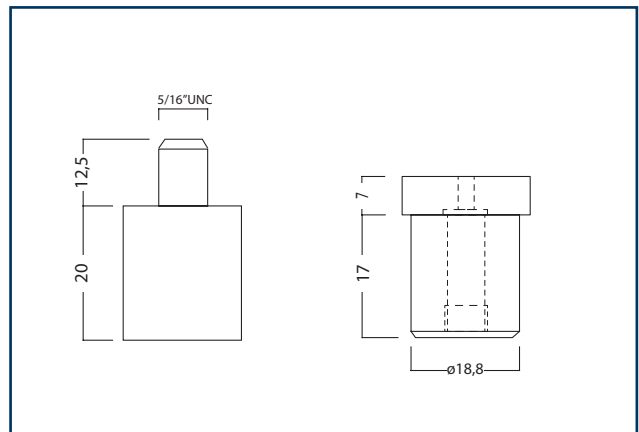
Hong Kong style



Shanghai style



PM style



Sweden Office:
 Wasa Sweden AB
 Bergsgatan 6
 716 21 Fjugesta, Sweden
 Phone: +46 (0)585 31800
 Fax: +46 (0)585 31819

Hong Kong Office:
 Wasa Sweden Asia Ltd
 Flat 1104, 11/F.Fook Yip Building
 53-57 Kwai Fung Crescent
 Kwai Chung, N.T, Hong Kong
 Phone: +852 2481 1939

Denmark Office:
 Wasa Sweden AB
 Pedersgårdvej 109
 DK- 7400 Herning, Denmark
 Phone: +45-97 21 01 08
 Fax: +45-97 21 01 13

German Office:
 Wasa Sweden
 Jarrestrasse 42c
 223 03 Hamburg Germany
 Phone: +49 40 52 59 17 60